



Accessible
and Inclusive
Tourism



Supporting Resource - Access Welcome Guide

How To Measure Your Accessibility Features



Measuring your Accessibility Features

To support effective trip planning, some visitors will need details of key measurements which are relevant for them.

What measurements do I need to take?

It is important for you to measure the following:

- Door widths
- Circulation space

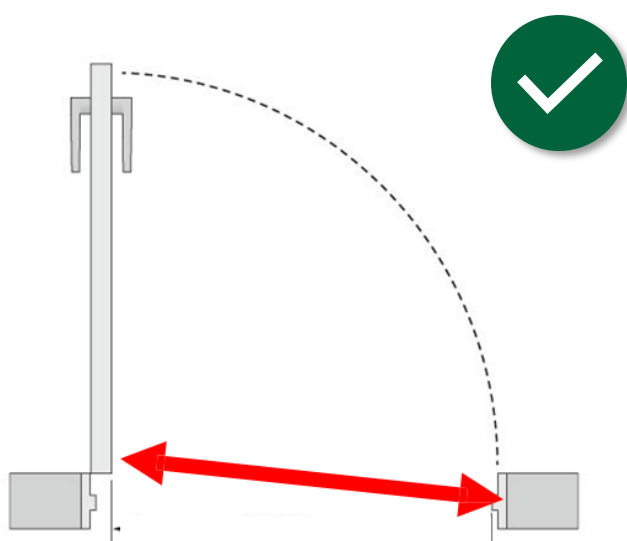


Measurements are always displayed in millimetres, rather than centimetres or inches.

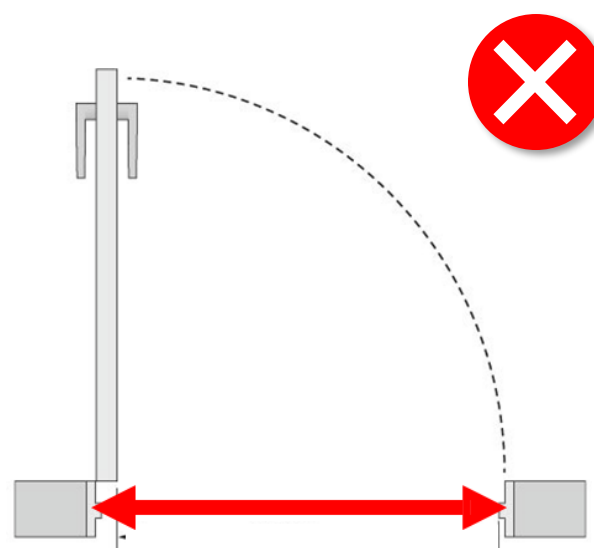
Measuring door widths

When measuring a door, it is important to record what is known as the clear opening width of the door. This is a measurement of the door opening at its narrowest point.

Contrary to popular belief, this is not from door jamb to door jamb! It is, in fact, from the 'face' of the door to the opposite jamb, as shown below.



Correct door width measurement

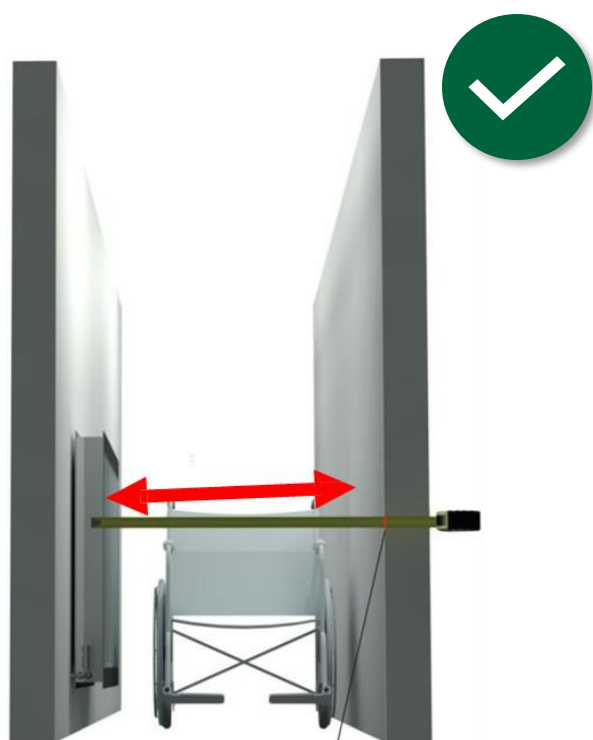


Incorrect door width measurement

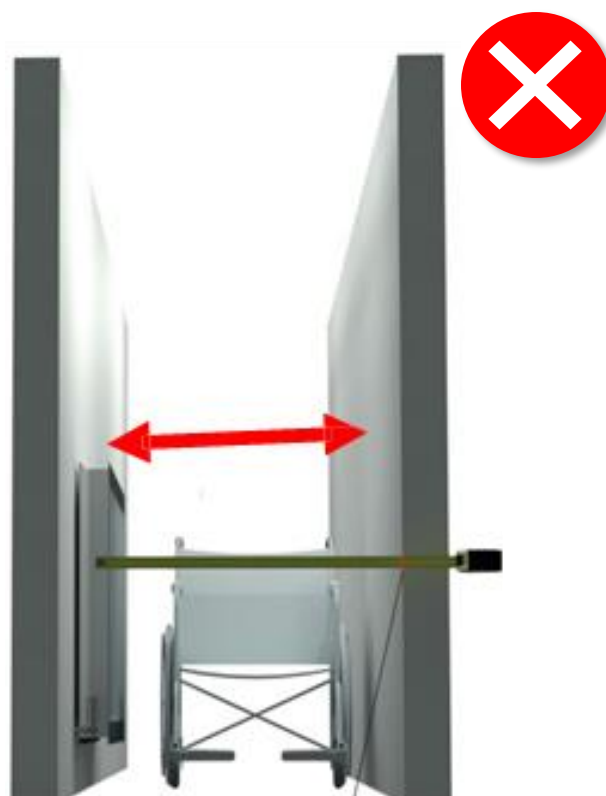
Circulation space

Circulation space is an important measurement, as it will determine whether a wheelchair user is able to turn around in any given space to exit, rather than reversing out.

Circulation space should be measured at the narrowest point in any given space. This means that if, for example, a radiator or fire extinguisher protrudes into the space, the available circulation space is reduced, as shown in the example below.



Correct circulation space measurement



Incorrect circulation space measurement



**Fáilte
Ireland**